

Purge media flange 150 lbs

Flange disc with a lateral hole for connection of purge and/or cooling media in combination with our pressure barriers.

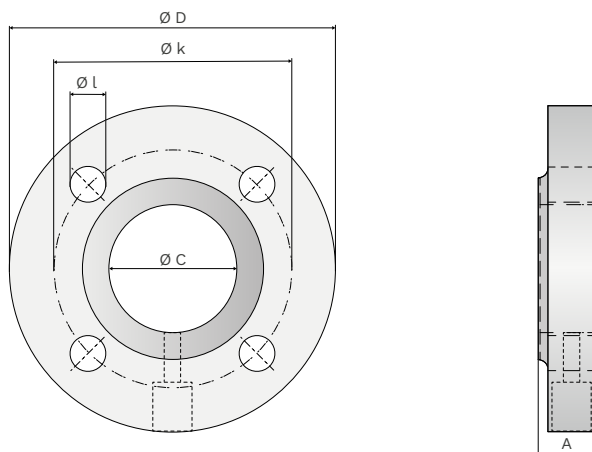


1 | Technical data

Pressure-Temperature Rating (p/T-Rating)*	15.9 bar - -29 °C to +38 °C 15.3 bar - +50 °C 12.0 bar - +150 °C 10.5 bar - +230 °C
Material	stainless steel, steel
Ambient temperature	-60 °C to +230 °C
Process connection	1 ½" to 4" 150 lbs (ANSI B 16.5)*
Flame Monitoring connection	sizes on request (1/8", 1/4", 1/2",...)
Weight	1 ½" approx. 3 kg 2" approx. 3 kg 3" approx. 3 kg 4" approx. 5 kg

* Other sizes and pressure classes available on request.

2 | Dimensions



All dimensions in mm.

Type	Ø D	Ø l	Ø C	Ø k	A
1 ½"	127.0	19.0	52.0	98.6	19.5 *
2"	152.4	19.0	52.0	120.7	21.1 *
3"	190.5	19.0	52.0	152.4	25.9 *
4"	228.6	19.1	52.0	190.5	25.9 *

*Dimension A corresponds to purge media connection for 1/4" or 1/8".

3 | Part numbers

Material	Part numbers
Steel	6592-8600-XX
Stainless steel	6595-8600-XX

If required, a material certificate according to EN 10204 - 3.1 is available (specification required when ordering).