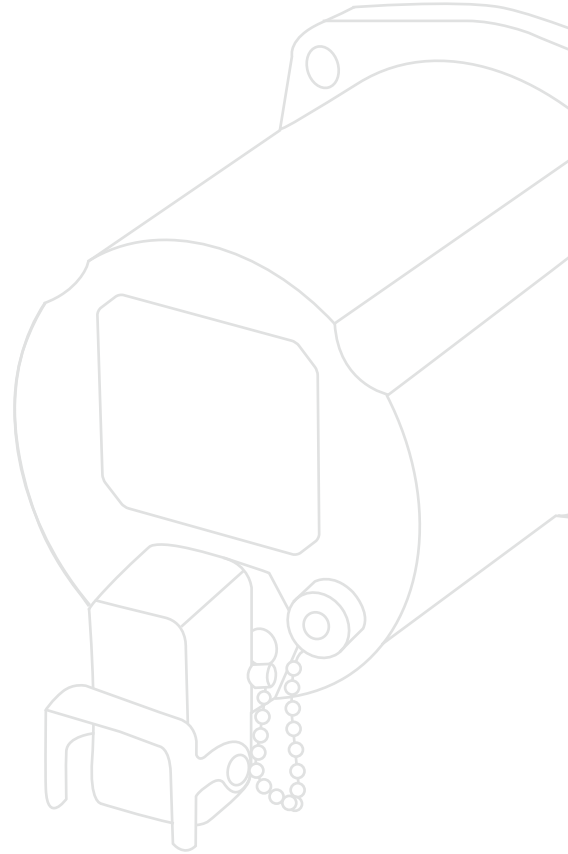




Flamონitec[®]
BFI AUTOMATION

Product Information

FLAME SCANNER 7.0



- failsafe design
- suitable for continuous operation
- use at ambient temperatures from -40 °C to +85 °C
- approved according to international standards
- protection class IP65/IP66
- IECEx-certified
- CSA-certified

1 | Design

The Flame Scanner 7.0 forms a complete flame monitoring system in combination with a flame amplifier of the 3000 series. The flame monitoring and evaluation system 3000 was developed under the aspects of safety and optimal availability of customer plants.

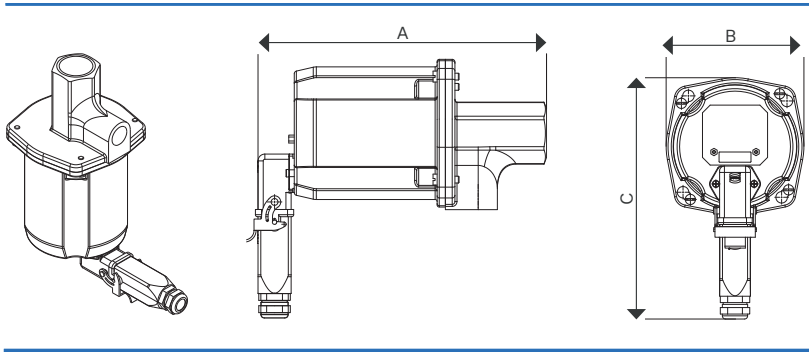
Our goals are to monitor flames in main reaction furnaces and incinerators of SRU plants safely and reliably, to provide criteria for optimizing the incineration process and to reduce pollutant emissions. The system is able to distinguish a residue combustion such as H₂S, blast furnace gas or waste gases.

2 | Customer benefits and usage

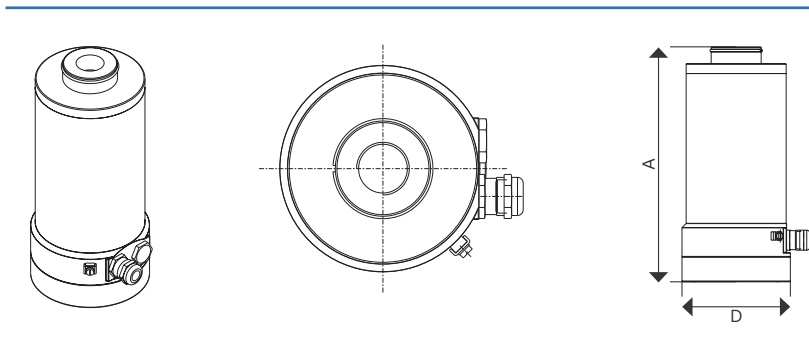
- self monitoring to control fault free function
- detection of H₂S and fuel gas flames in claus processes
- immune to steam injection
- monitoring of residual combustions
- sensitivity of the thermosensor adjustable via potentiometer
- fully electronic design
- thermo couple sensors
- temperature difference method

3 | Housing versions

The Flame Scanner 7.0 is available in two housing variants for direct installation on the burner.



ATEX Zone 2	
Standard housing	
Length A:	235 mm
Width B:	108 mm
Height C:	190 mm
Weight:	1.5 kg
IECEX TUR 15.0029X	



ATEX Zone 1	
Ex-housing	
Length A:	290 mm
Diameter D:	130 mm
Weight:	5.0 kg
IECEX EPS 14.0042X	

4 | Technical data

Spectral sensitivities	IR (1050 nm to 2700 nm)
Power supply	24 V DC
Current consumption	max. 200 mA each Flame Scanner
Self checking	fully electronic, once per second
Angle of view	2.7°
Sight port connection	G 1" female thread
Purge air connection	G 1/2" female thread

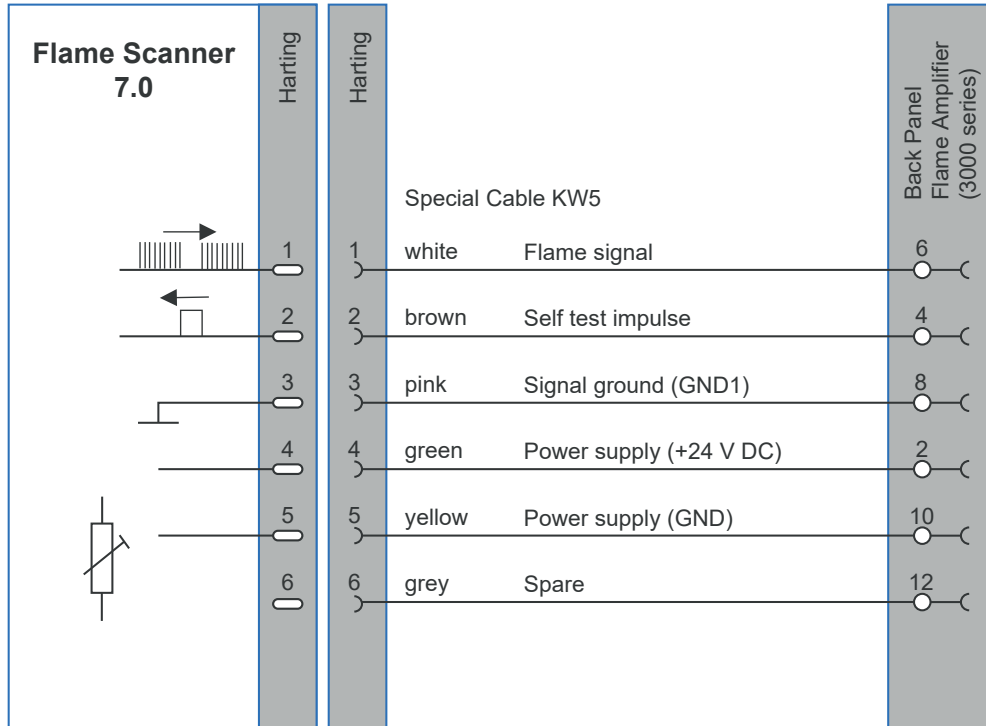
ATEX Zone 1

ATEX Marking	II 2G Ex db eb IIC T6 Gb II 2D Ex tb IIIC T80°C Db
Ambient temperature	-20 °C to +70 °C
Type of protection	IP66

ATEX Zone 2

ATEX Marking	II 3G Ex ec IIC T4 Gc II 3D Ex tc IIIC T100°C Dc
Ambient temperature	-40 °C to +85 °C
Type of protection	IP65

5 | Connection diagram



Further connection diagrams with special configurations (e.g. heating) available on request.

6 | Part numbers

Type	Part numbers
Flame Scanner 7.0	6010-7031-00
Flame Scanner 7.0 Ex	7010-7032-00



Flamonitec[®]
BFI AUTOMATION

All data are without guarantee and refer to the product group. Product-specific information is contained in the operating instructions. We reserve the right to make technical changes. | © BFI Automation Mindermann GmbH 2023/12

MEMBER OF MINDERMANN GROUP

BFI Automation Mindermann GmbH

Ruegenstr. 7

42579 Heiligenhaus . Germany

T +49 2056 989 46-0

info@flamonitec-bfi.com

www.flamonitec-bfi.com